

Technical data sheet

Product features



Bain marie trolley electric GN 2-1/1 heated cupboard controllers on longer side

Model	SAP Code	00008678
--------------	-----------------	----------



- Drain: Yes
- Material: AISI 304 top plate, AISI 430 cladding
- Protection of controls: IPX4
- Maximum device temperature [°C]: 90

SAP Code	00008678	Power electric [kW]	2.200
Net Width [mm]	797	Loading	230 V / 1N - 50 Hz
Net Depth [mm]	675	Number of GN / EN	2
Net Height [mm]	905	GN / EN size in device	GN 1/1
Net Weight [kg]	76.00	GN device depth	200

Technical data sheet

Technical drawing

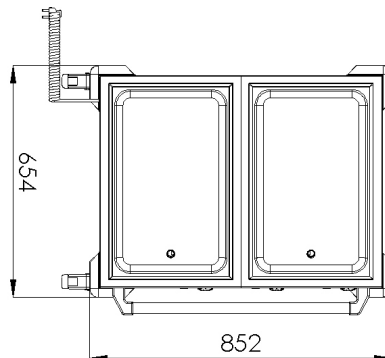
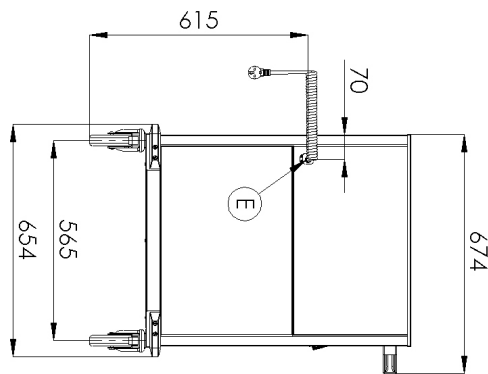
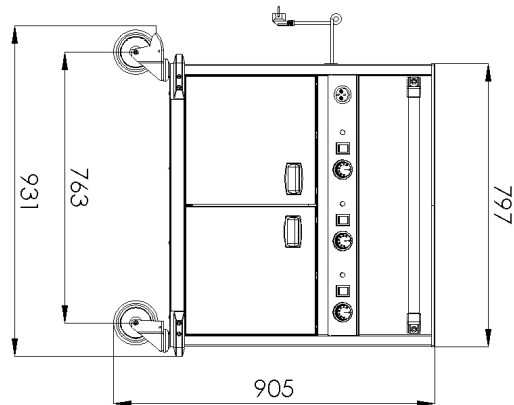


Bain marie trolley electric GN 2-1/1 heated cupboard controllers on longer side

Model

SAP Code

00008678



Technical data sheet

Product benefits



Bain marie trolley electric GN 2-1/1 heated cupboard controllers on longer side

Model	SAP Code	00008678
--------------	-----------------	----------

1

Deep-draft bathtubs

basins without sharp transitions, edges and corners

- easy maintenance
- perfect sanitation

2

Controlling each bath separately

variability of use

- possibility to keep different foods at different temperatures

3

All-stainless steel construction

harmless to health for contact with food
robustness

- perfect sanitation
- long service life

4

Heated substructure

possibility to store and heat plates

- space saving
- no need for an extra rack

5

Drain valve under the bathtub

safer placement of the drain valve

- valve positioning prevents unintentional contact and possible scalding

6

Handrail

handle made of robust stainless steel tube
possibility of placement on the shorter or longer side

- easy handling of the dispensing tub

7

Braked wheels

easier handling

- more comfort for the operator
- safety
- stability

Technical data sheet

Technical parameters



Bain marie trolley electric GN 2-1/1 heated cupboard controllers on longer side

Model	SAP Code	00008678
-------	----------	----------

1. SAP Code:

00008678

2. Net Width [mm]:

797

3. Net Depth [mm]:

675

4. Net Height [mm]:

905

5. Net Weight [kg]:

76.00

6. Gross Width [mm]:

750

7. Gross depth [mm]:

910

8. Gross Height [mm]:

1010

9. Gross Weight [kg]:

84.00

10. Device type:

Electric unit

11. Construction type of device:

On wheels

12. Power electric [kW]:

2.200

13. Loading:

230 V / 1N - 50 Hz

14. Protection of controls:

IPX4

15. Exterior color of the device:

Stainless steel

16. Material:

AISI 304 top plate, AISI 430 cladding

17. Maximum device temperature [°C]:

90

18. Minimum device temperature [°C]:

30

19. Adjustable feet:

No

20. Drain:

Yes

21. Number of GN / EN:

2

22. GN / EN size in device:

GN 1/1

23. GN device depth:

200

24. Cross-section of conductors CU [mm²]:

0,5

- Výkon (kW): 2,4-3,3 (230 V)